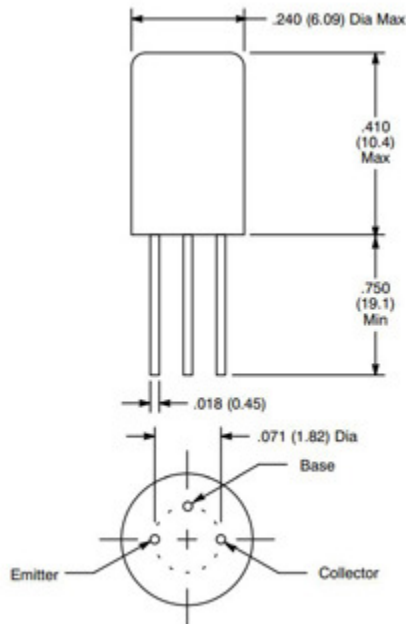
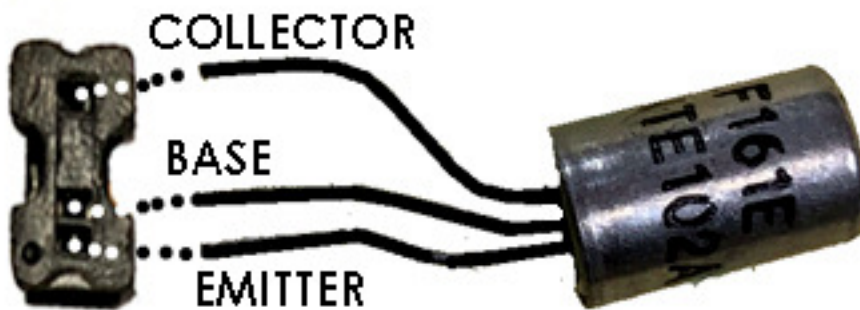


ZENITH 1000/3000 TRANS-OCEANIC RADIOS INSTALLING NTE TRANSISTORS

To replace an OEM transistor with an NTE transistor, note that the NTE transistor only has three pins. The BASE is in the middle, and offset from the EMITTER and the COLLECTOR.

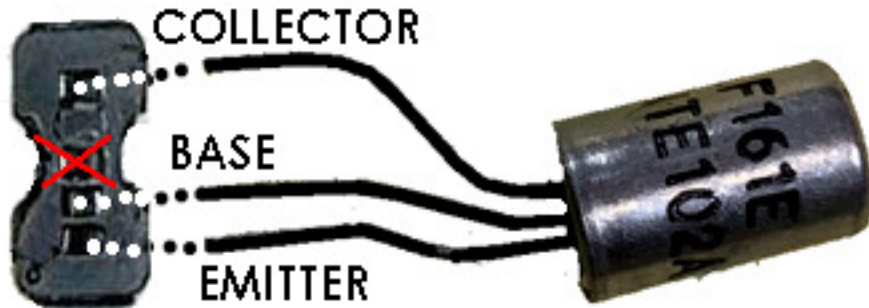


To install the NTE transistor in a Zenith socket with three pin sockets, bend the pins of the transistor as shown. Make sure there is no contact between the pins.



When the pins are aligned with the socket spaces, gently push the transistor in as far as it will go. The pins will not go all the way in, so the transistor will sit above the socket, not flush with the socket. This is OK.

Some sockets may have spaces for four pins. If you encounter a 4-pin socket, install the transistor as shown below.



As with the 3-pin socket, when the pins are aligned with the socket spaces, gently push the transistor in as far as it will go.

If using replacement transistors other than NTE, refer to the manufacturer's data sheet to identify the base, collector, and emitter. Once you have identified the pins correctly, you can install the new transistor into the socket following the guide for the NTE transistors.

Be careful when installing the battery box that you do not bump the transistors, as this could cause the pins to come into contact with each other or short against the chassis.